

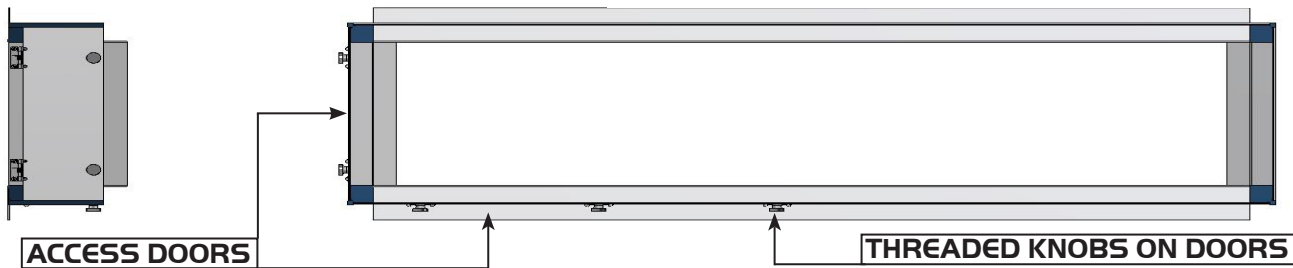
# BENEFITS

- FITS 2" WIDE FILTERS
- SIDE AND BOTTOM ACCESS DOORS, SPRING HINGED
- AIR TIGHT ALUMINUM FRAME CONSTRUCTION
- CORROSION RESISTANT
- STURDY DESIGN
- FIELD ATTACHES TO YOUR DAIKIN INDOOR UNITS



## FILTER RACK

FILTERS NOT INCLUDED



FILTER RACK PART NUMBER	DAIKIN PART NUMBER	FILTER SIZE (NOMINAL)
FR-D22X13A	FXMQ07/09/12PVJU FXMQ07/09PA(B)VJU	(1) 10 X 20 X 2
FR-D40X13A	FXMQ15/18/24PA(B)VJU FBQ18/24/30PVJU	(2) 10 X 20 X 2
FR-D56X13A	FXMQ30/36/48/54PA(B)VJU FBQ36/42PVJU	(2) 10 X 20 X 2
FR-D52X19A	FXMQ72/96MVJU FXMQ72/96MFVJU FXMQ72/96PA(B)VJU	(2) 16 X 25 X 2
FR-D28X19A	FXMQ48MFVJU	(1) 16 X 25 X 2
FR-D28X12A	FXMQ12PA(B)VJU	(1) 10 X 20 X 2
FR-D28X11A	FXSQ15TAVJU FDMQ09/12RVJU	(1) 10 X 20 X 2
FR-D42X11A	FXSQ18/24/30TAVJU FDMQ18/24RVJU	(2) 10 X 20 X 2
FR-D22X11A	FXSQ05/07/09/12TAVJU	(1) 10 X 20 X 2
FR-D55X11A	FXSQ36/48/54TAVJU	(2) 10 X 20 X 2



1-844-273-4273



SALES@HARDGARD.NET

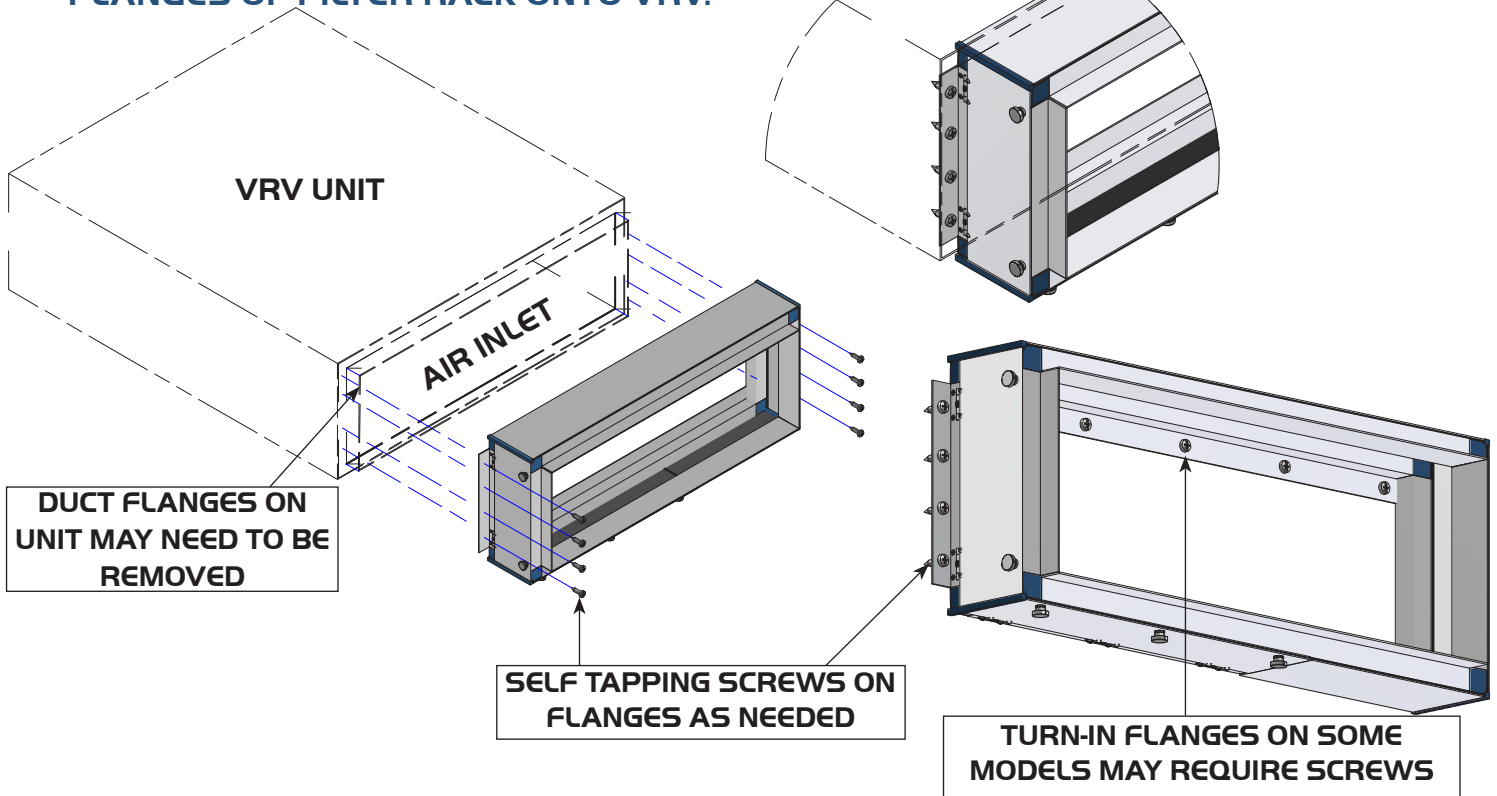
## INSTALLATION:

1. FLANGES ON DAIKIN UNIT MAY NEED TO BE REMOVED ON SOME MODELS.
2. PLACE FILTER RACK FLANGES ON AIR INLET.
3. USE SELF-TAPPING SCREWS TO FASTEN FLANGES OF FILTER RACK ONTO VRV.

# HARDGARD

## FILTER RACK

FILTERS NOT INCLUDED



4. LOOSEN THREADED KNOBS ON DOOR TO OPEN.
5. INSERT AIR BLOCK-OFF ALL THE WAY TO END.
6. INSERT FILTERS. (FILTERS NOT INCLUDED)
7. SECURE DOOR CLOSED WITH THREADED KNOBS.

AIR BLOCK-OFF REQUIRED ON SOME MODELS

